

Navi-Pad III

performance

10,1" robuster Tablet, 1000 Nits, 5G LTE, Windows11, Wechselakku

Lösungen zur Interaktion

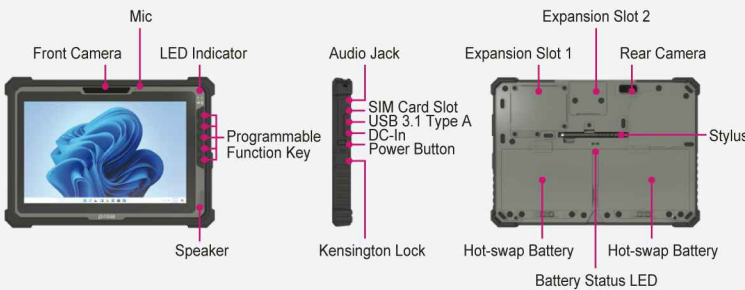
Art.# 59196



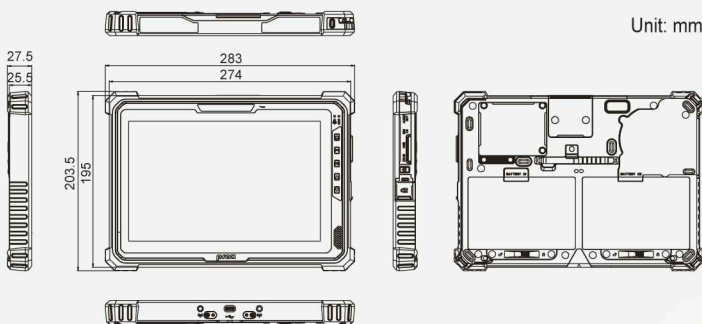
Features

- Intel Alder-Lake series with Low power consumption with fanless design
- 10.1" FHD display (1920 x 1200 resolution / 450 or 1000 nits / 30,000 hrs) optical clear Adhesive with Anti-fingerprint / rugged corning gorilla glass P-Cap touch
- Dual-main battery with Hot-swap design & up to 10.5 hrs operating
- Multi-peripherals & accessories (Wi-Fi6E+BT 5.2 / 2D barcode scanner / 2D camera / 3D camera / LTE+GNSS / LAN / COM / SD card / smart card reader / fingerprint reader / hand strap / neck strap / stylus / cradle / vehicle cradle... etc)
- IP65 rating & drop test 1.5m design (MIL-810H standard)
- Wide-ranged temperature & light weight 1.0 kg (tablet only)
- Integrated with LIPS 3D camera for logistics dimension measurement application

Highlights



Dimensions



Specifications

System	
CPU	Intel® Alder Lake-N processor N50 Intel® Alder Lake-N processor N200
Display	10.1" 1920 x 1200
Brightness	1000 nits
O.S. Support	Windows 11 IoT Enterprise
Memory	LPDDR5 8GB or 16GB
Storage	1 x M.2 Nvme SSD (up to 1TB)
Speaker	2W
Stylus	Yes (optional)
Power Input	DC jack 19V, USB Type-C power delivery 20V
G-Sensor	Yes
Ambient Light Sensor	Yes
Vibrator	Yes
TPM	TPM 2.0
Dimensions (W x H x D)	275 x 194.5 x 21 mm
Weight	1080 g (tablet only)
Certifications	CE, FCC
Capacity	2 x Li-Ion battery (11.1V, typical 2100mAh)
WiFi + BT	802.11 ax, Bluetooth®
WWAN	4G/5G with GNSS
Barcode Scanner	2D barcode scanner (optional)
Camera	Front camera 2M pixels (optional, Windows hello camera) Rear camera 8M pixels 3D camera for dimension measurement application (optional)
Fingerprint Reader	Fingerprint reader (optional)
Smart Card Reader	Smart card reader (optional)
I/O Ports	
SD Card	1 x Micro SD (optional)
USB	1 x USB 3.0 type A 1 x USB type-C (with display port & power delivery) 1 x USB 3.0 type A (optional)
Expansion Slots	Expansion Slot 1 for Smart Card Reader, Fingerprint, 3D Dimension Camera Expansion Slot 2 for 2D Barcode, COM Port, USB 3.0 Type-A, SD Card, LAN Port
Multi-Function Key	6 x Buttons (Windows, power, function key 1, function key 2, volume up, volume down) (programmable)
SIM Card	1 x Dual-Nano-SIM 4G LTE / 5G
Audio Jack	1 x Headset (headphone out / mic-in combo)
DC Jack	1 x DC 19V
Environment	
Operation Temperature	-10°C~50°C (AC) (14°F~122°F) -10°C~50°C (battery) (14°F~122°F)
Storage Temperature	-20°C~60°C (-4°F~140°F)
Storage Humidity	Operation humidity 10%~90% Storage humidity 10%~95%
Vibration	MIL-STD-810H
Dust & Water Resistance	IP65
Drop	150cm (MIL-STD-810H)